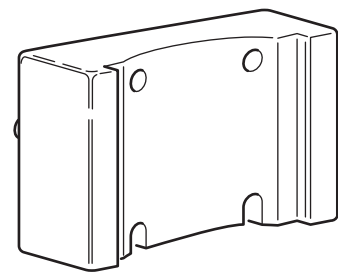
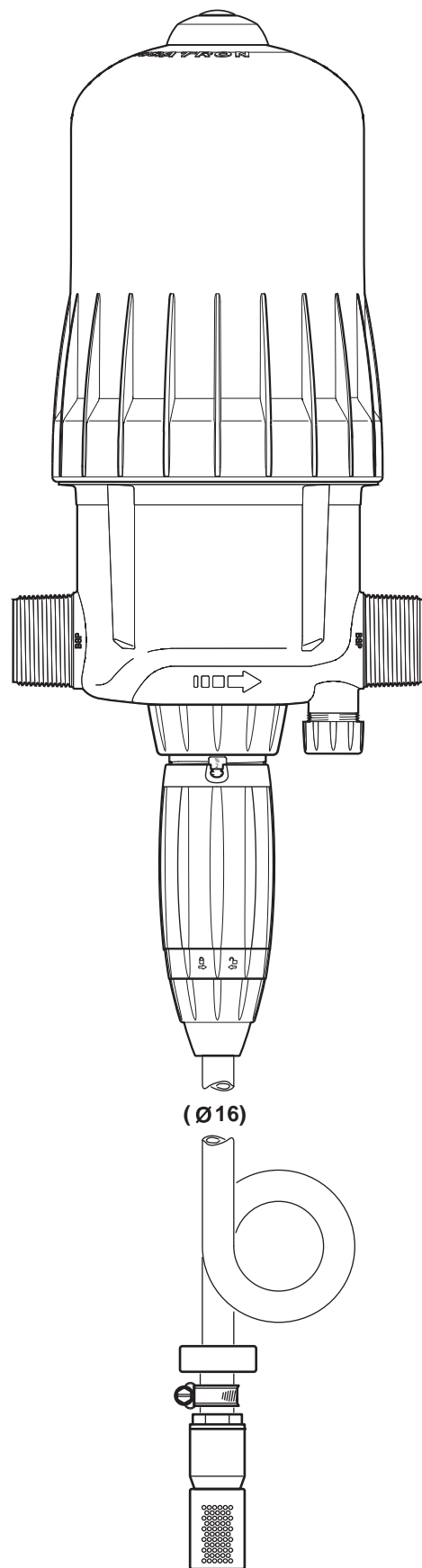


# D8RE2

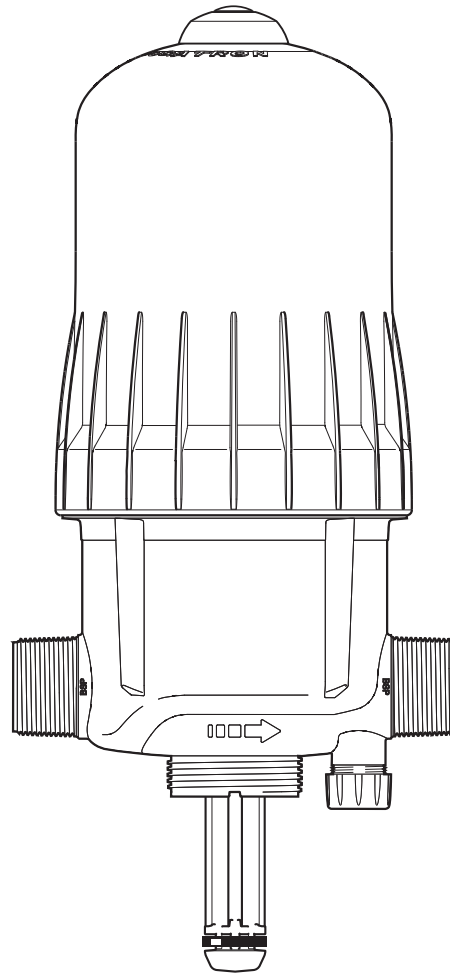
8 m<sup>3</sup>/h - 0.2 - 2%  
40 GPM - 1:500 - 1:50  
0.15 - 8 bar  
2.2 - 116 psi



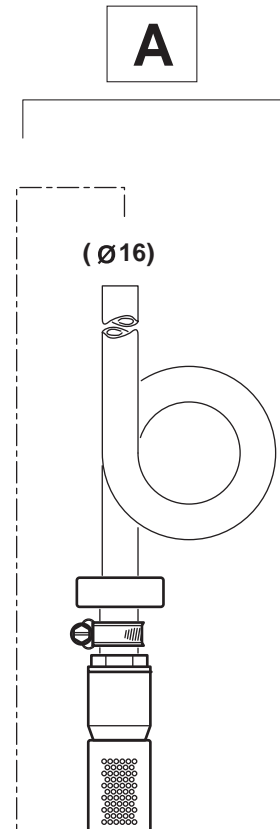
# D8RE2

8 m<sup>3</sup>/h - 0.2 - 2%  
40 GPM - 1:500 - 1:50  
0.15 - 8 bar  
2.2 - 116 psi

**C+M**

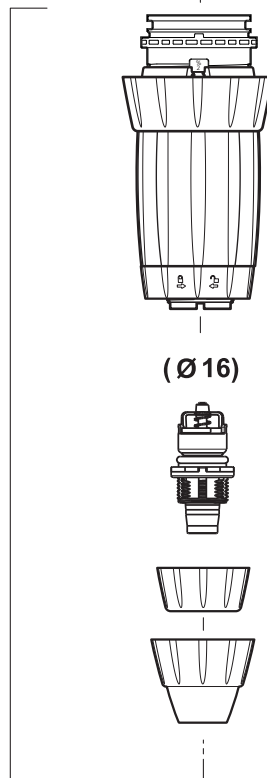


**A**



(Ø16)

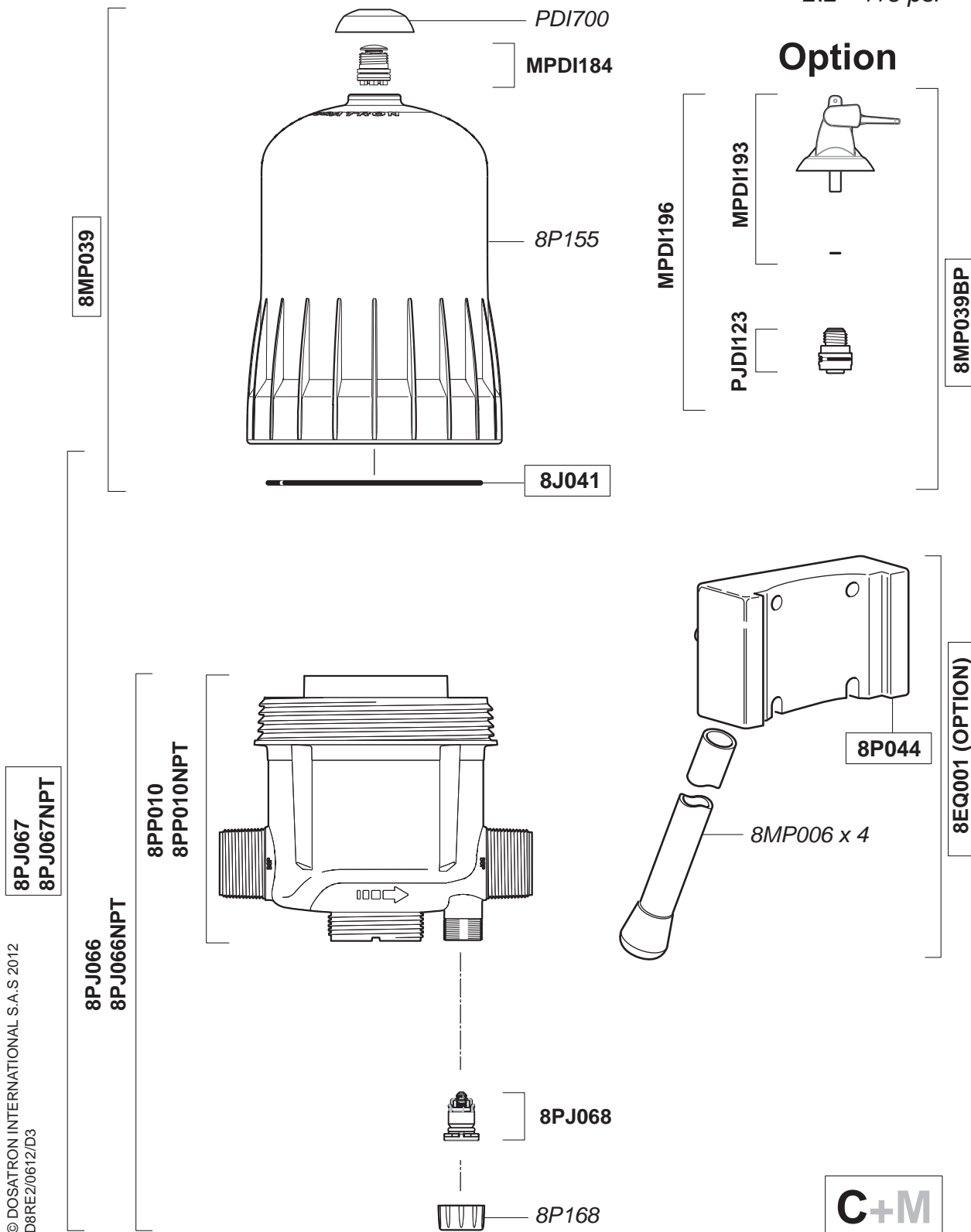
**D**



(Ø16)

# D8RE2

8 m<sup>3</sup>/h - 0.2 - 2%  
 40 GPM - 1:500 - 1:50  
 0.15 - 8 bar  
 2.2 - 116 psi



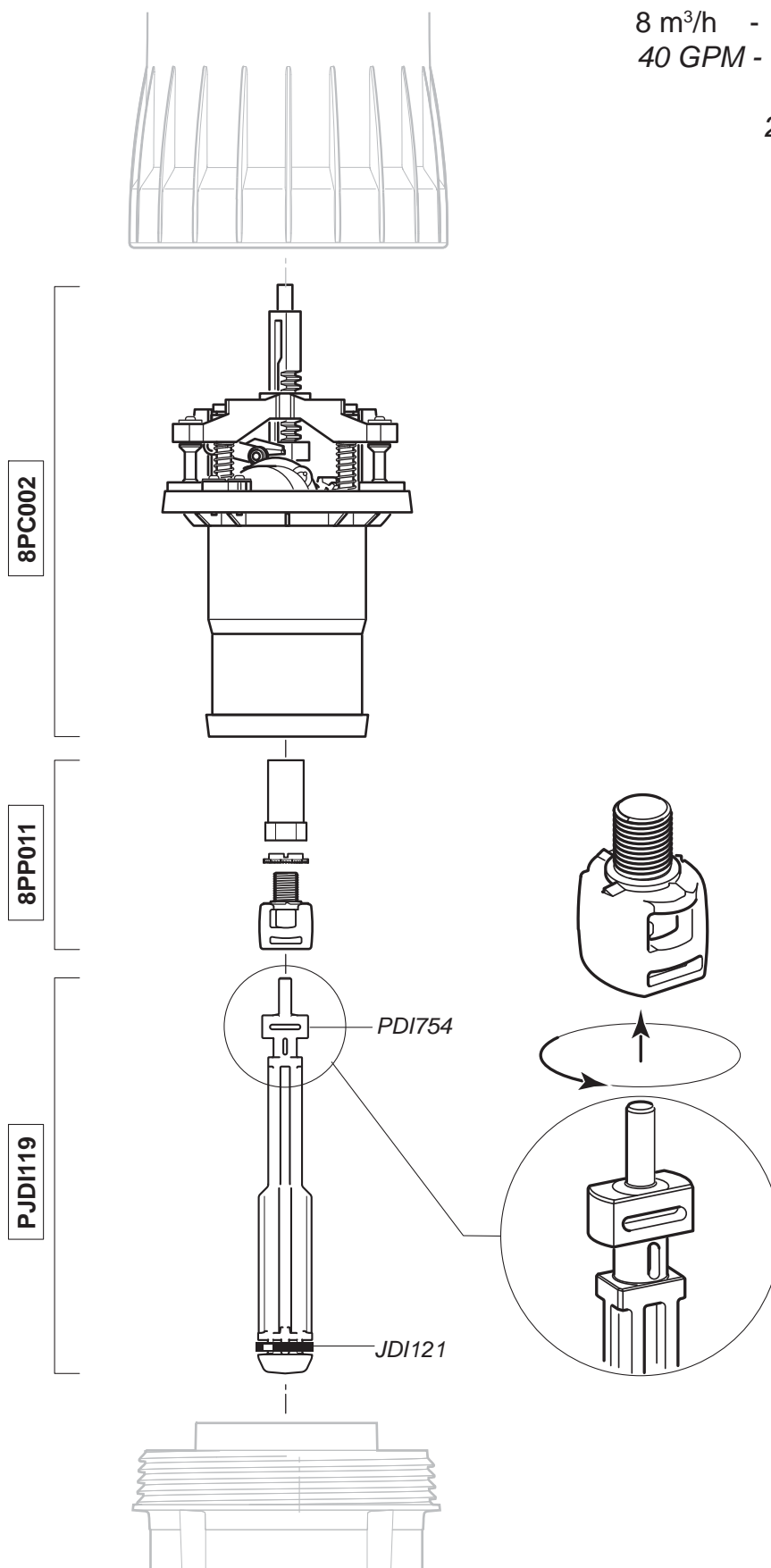
## Option

© DOSATRON INTERNATIONAL S.A.S 2012  
 D8RE2/0612/D3



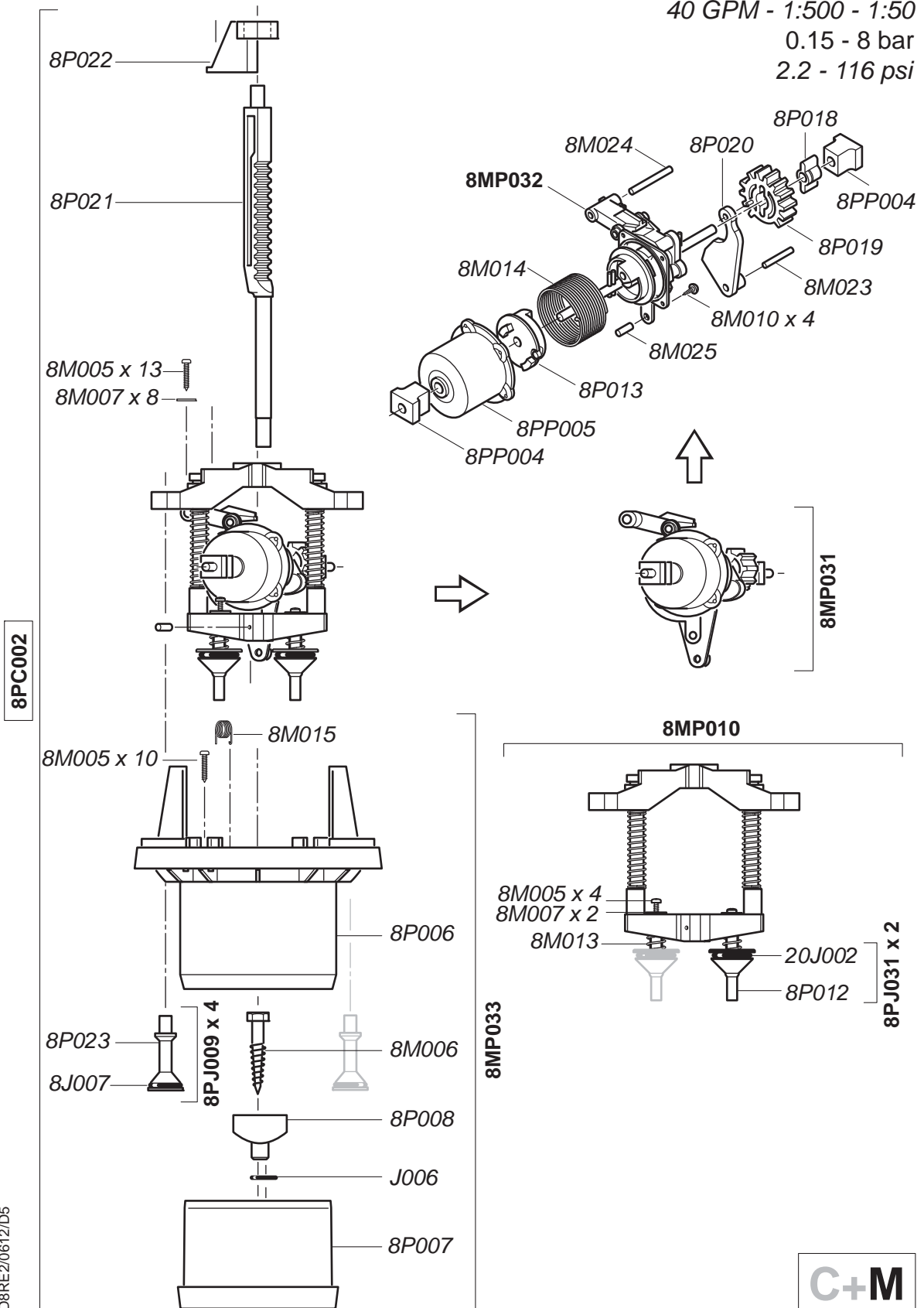
# D8RE2

8 m<sup>3</sup>/h - 0.2 - 2%  
40 GPM - 1:500 - 1:50  
0.15 - 8 bar  
2.2 - 116 psi



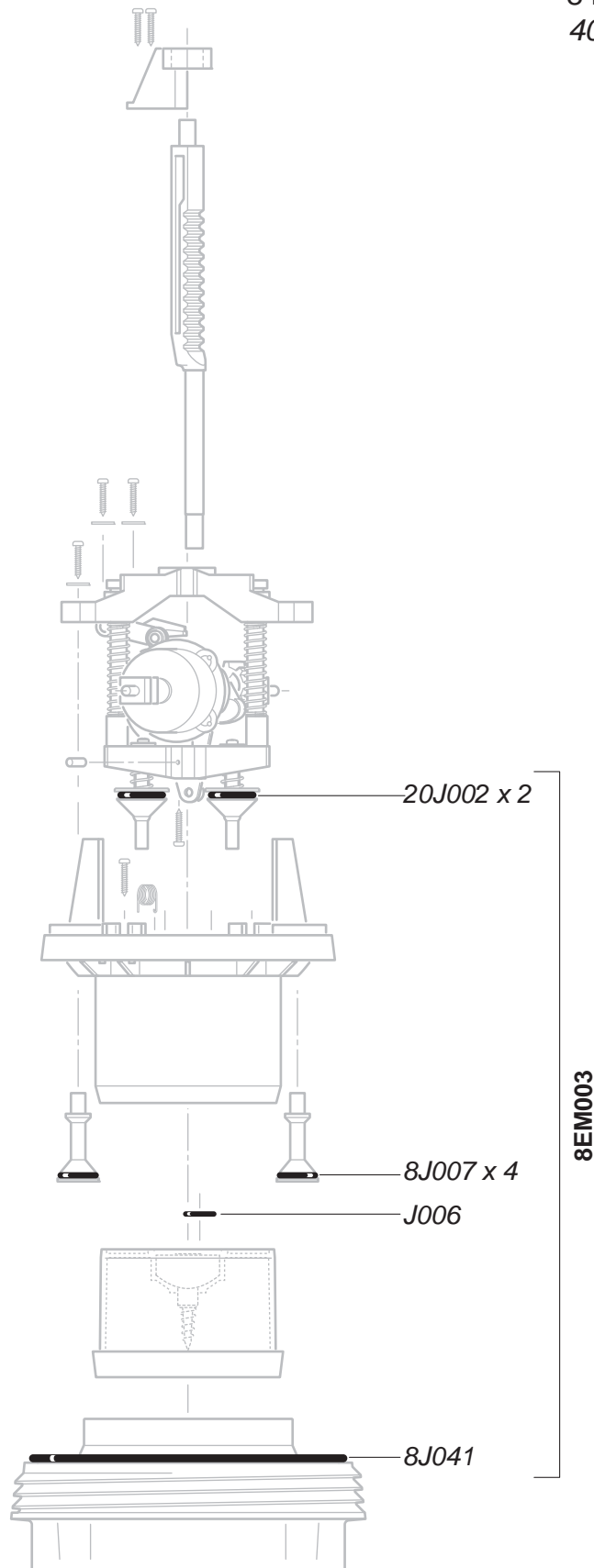
# D8RE2

8 m<sup>3</sup>/h - 0.2 - 2%  
 40 GPM - 1:500 - 1:50  
 0.15 - 8 bar  
 2.2 - 116 psi



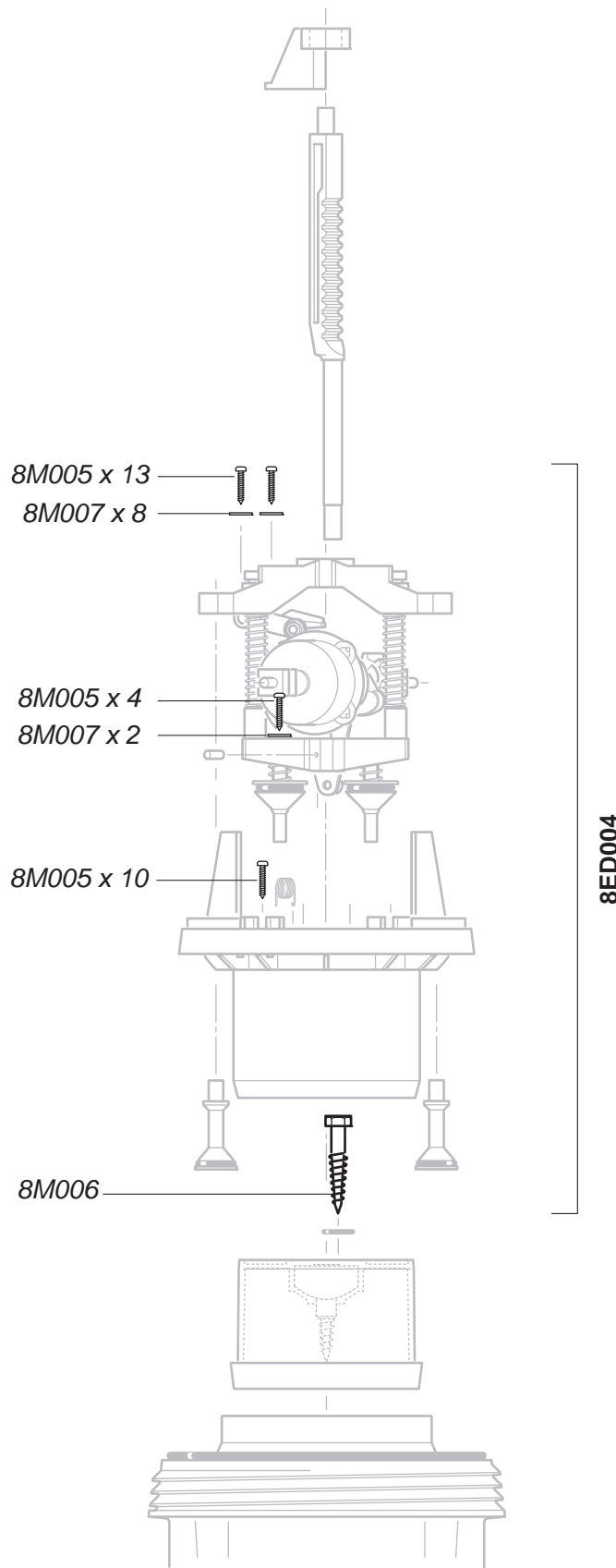
# D8RE2

8 m<sup>3</sup>/h - 0.2 - 2%  
40 GPM - 1:500 - 1:50  
0.15 - 8 bar  
2.2 - 116 psi



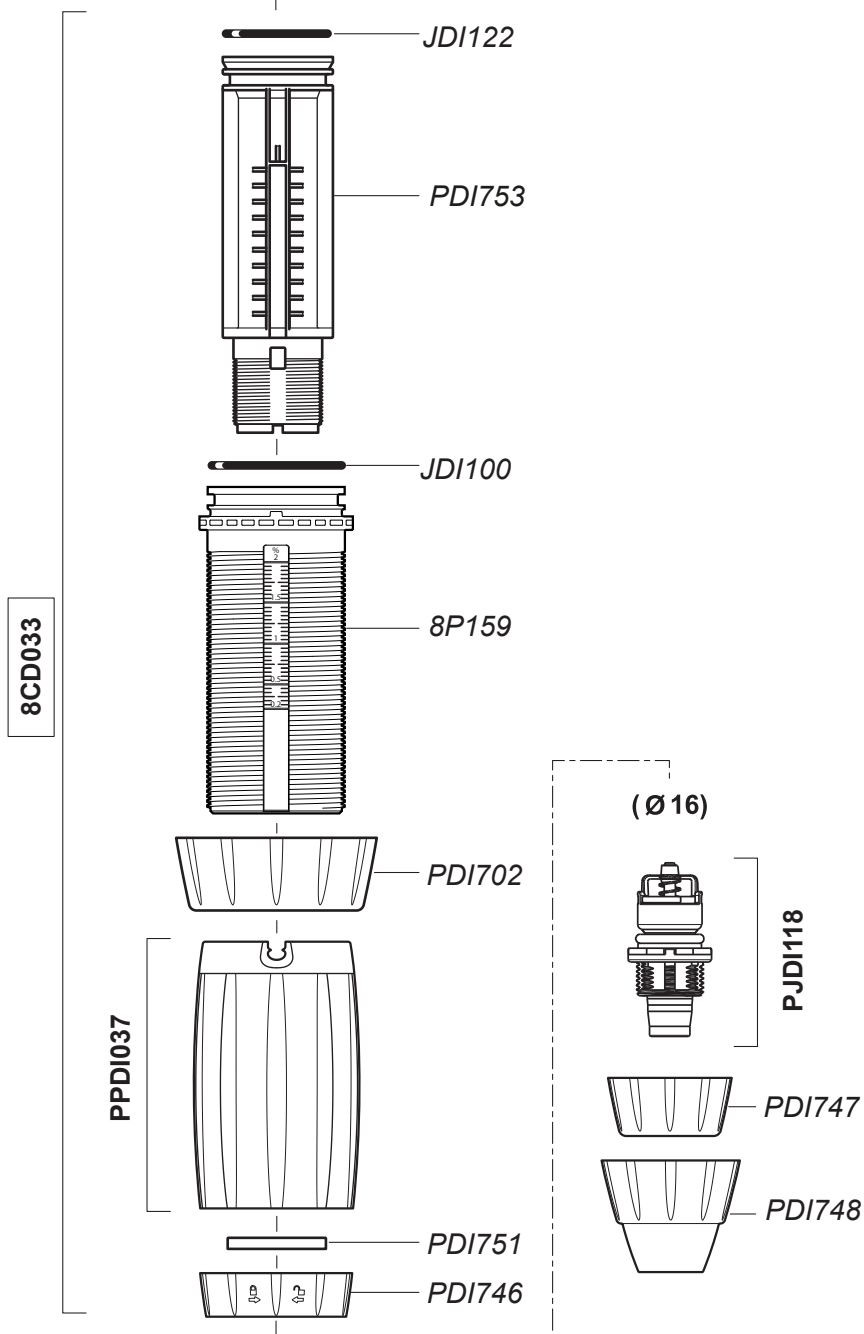
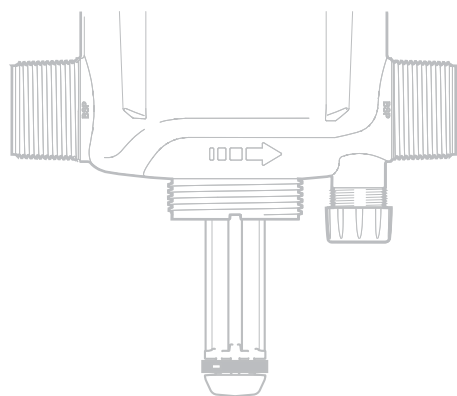
# D8RE2

8 m<sup>3</sup>/h - 0.2 - 2%  
40 GPM - 1:500 - 1:50  
0.15 - 8 bar  
2.2 - 116 psi



# D8RE2

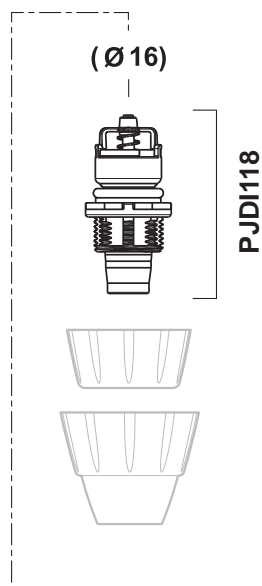
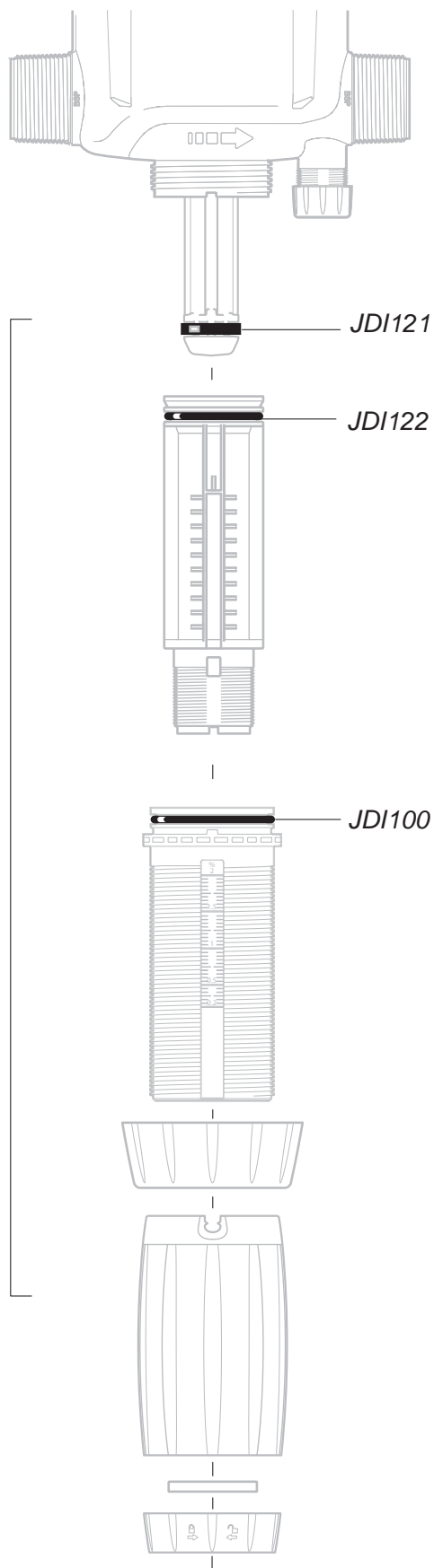
8 m<sup>3</sup>/h - 0.2 - 2%  
 40 GPM - 1:500 - 1:50  
 0.15 - 8 bar  
 2.2 - 116 psi





# D8RE2

8 m<sup>3</sup>/h - 0.2 - 2%  
40 GPM - 1:500 - 1:50  
0.15 - 8 bar  
2.2 - 116 psi



# D8RE2

8 m<sup>3</sup>/h - 0.2 - 2%  
40 GPM - 1:500 - 1:50  
0.15 - 8 bar  
2.2 - 116 psi

